



A21

APU®

PLASTER JOINT PROFILES FOR INTERIOR AND EXTERIOR PLASTERING

Corner bead

DUO

For thin-level plasters
or fabric wallpaper



The **APU corner bead DUO** is used in interior and exterior plaster systems for forming a flush, exact plaster edge.

The profile has a reinforced, visible edge in the corner area. The plaster bars come in different versions: with holes (A21-2000 for thin layers of plaster), or with no holes (A21-2050 for fabric wallpaper).



Design

	ITEM NO.	LENGTH	PACKAGING UNIT	WEIGHT (per PU)
--	----------	--------	----------------	-----------------

Corner bead DUO

A21:

Drilled for thin-level plasters	A21-2000	2.0 m	100 bars = 200 m	13.0 kg
Undrilled for fabric wallpaper	A21-2050 *	2.0 m	100 bars = 200 m	13.0 kg

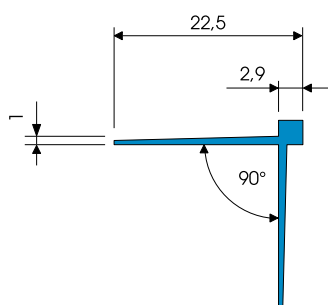
* not permanently on stock, delivery time on request

Features

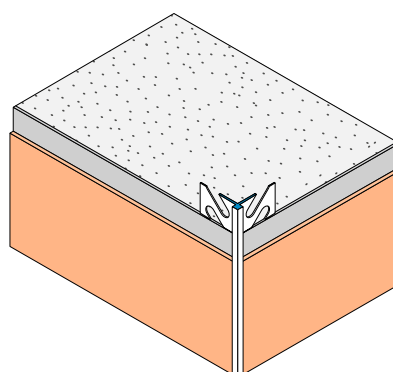
	CORNER BEAD
--	-------------

Material ■ Rigid PVC manufactured under DIN-16941

Details



Sectional drawing in mm



Application drawing