



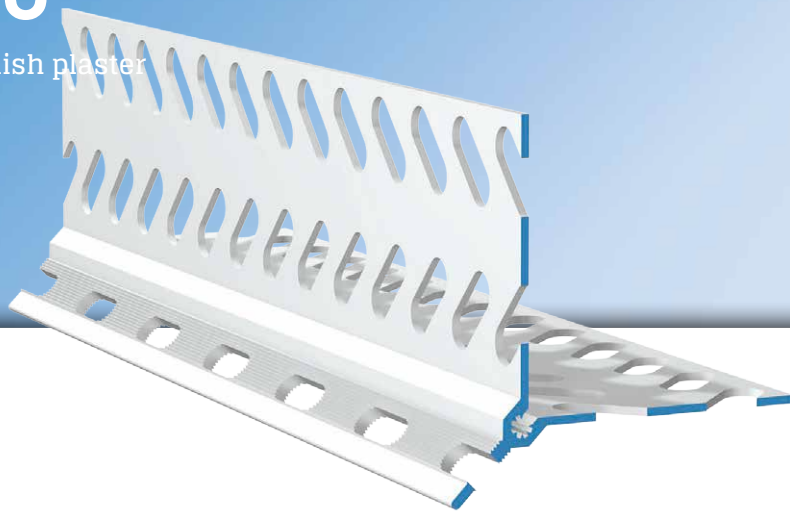
A23

# APU<sup>®</sup>

PLASTER JOINT PROFILES FOR INTERIOR AND EXTERIOR PLASTERING

## Corner bracket **STABILO**

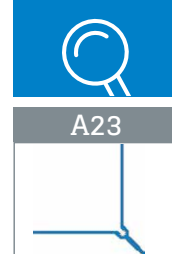
With edge for float-finish plaster



The **APU corner bracket STABILO** is used in interior and exterior plaster systems for forming a flush, exact plaster edge.

The edge of the profile has holes and ribs in the corner area. Where they abut, the corner brackets are connected using the plug connector (Z13).

The corner bracket comes in 3 different edge formations: 12, 15 und 21 mm.



## Design

	ITEM NO.	LENGTH	PACKAGING UNIT	WEIGHT (per PU)
--	----------	--------	----------------	-----------------

### STABILO corner bracket

A23

Plaster thickness 12 mm	<b>A23-2012 *</b>	2.0 m	25 bars = 50 m	12.0 kg
Plaster thickness 15 mm	<b>A23-2015 *</b>	2.0 m	25 bars = 50 m	12.7 kg
Plaster thickness 21 mm	<b>A23-2021 *</b>	2.0 m	25 bars = 50 m	14.1 kg

\* not permanently on stock, delivery time on request

## Features

	CORNER BRACKET
Material	<ul style="list-style-type: none"> <li>■ Rigid PVC manufactured under DIN-16941</li> </ul>
Accessories	<ul style="list-style-type: none"> <li>■ Z13-0000 Plug connectors</li> </ul>

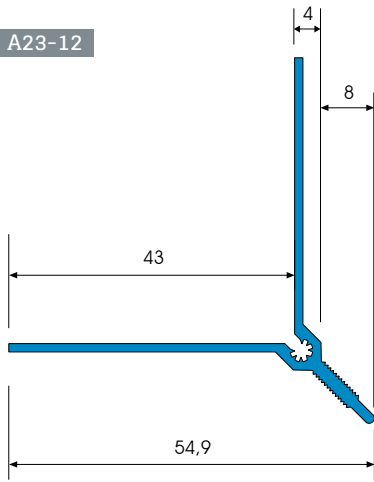


A23

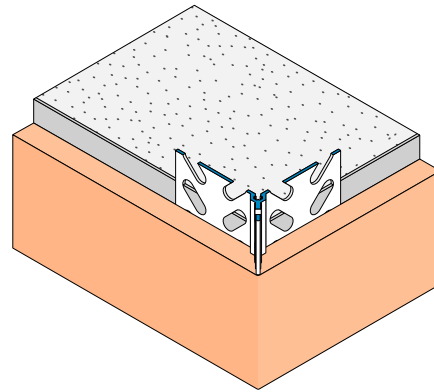


## Details

A23-12

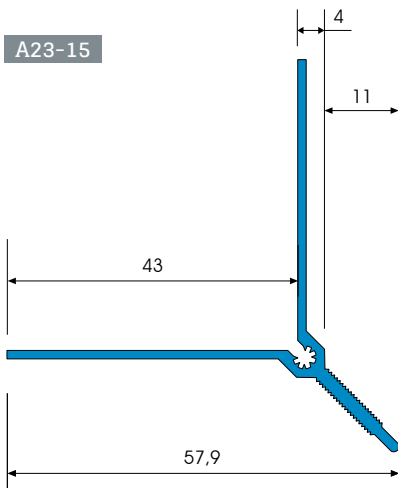


Sectional drawing in mm

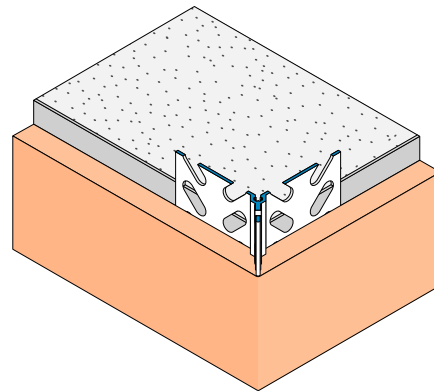


Application drawing

A23-15

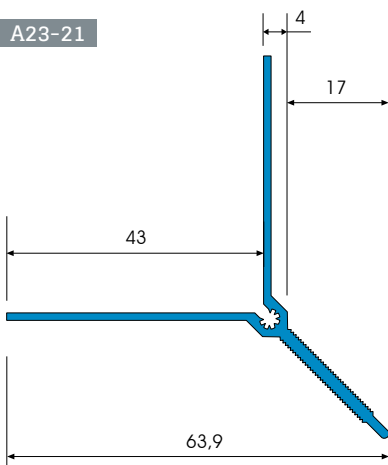


Sectional drawing in mm

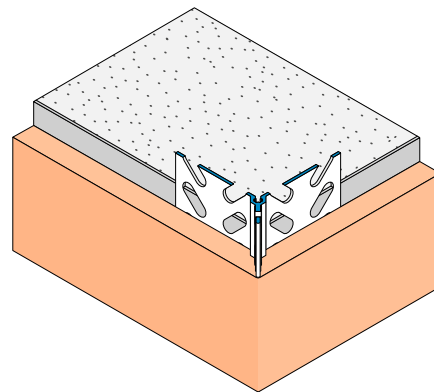


Application drawing

A23-21



Sectional drawing in mm



Application drawing