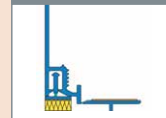
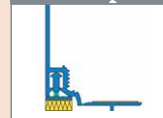




A 35



A 35 - pro



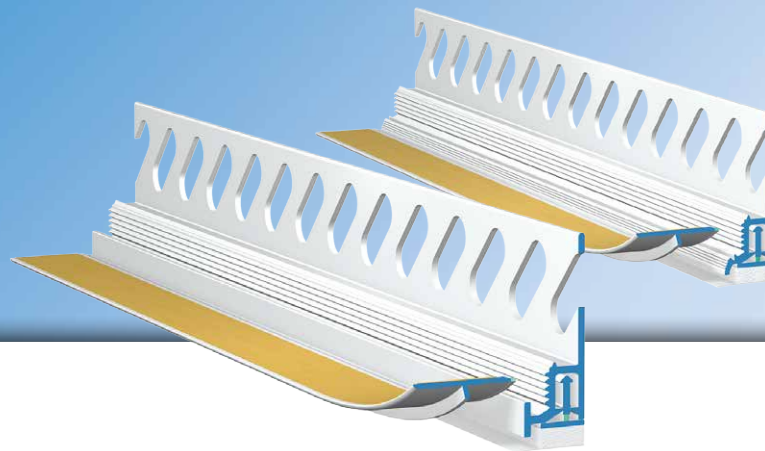
APU®

PLASTER JOINT PROFILES FOR INTERIOR AND EXTERIOR PLASTERING

Telescopic window reveal bead

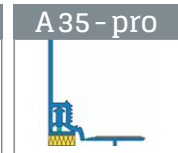
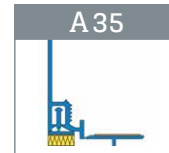
FLEX

With flexible edge



The **APU telescopic window reveal bead FLEX** is used indoor and outdoor plaster systems as specified by the latest APU selection criteria. Within the reveal the profile is stuck flush to the structural element there and after completion of the plastering work forms a clean and reliable termination of the plaster.

The profile comes with a self-adhesive PE foam tape, which ensures a watertight, lasting seal. The integrated telescopic mechanism can absorb movements in any direction in the area around the joint. The profiles can be joined overlapping where the elements abut. A punched PVC bar provides added reliability for the interlocking within the plaster. Depending on version, the profile is available with a visible draw-off bar (A35) or an edge that can be plastered over (A35 - pro). There is a piece of self-adhesive tape on protective flap in order to secure the third-party protective film. This protects the window during the plastering work. After completion of these tasks, the protective flap is pulled off and what is created is a clean edge to the plaster.



Design

	ITEM NO.	LENGTH	PACKAGING UNIT	WEIGHT (per PU)
--	----------	--------	----------------	-----------------

Telescopic window reveal bead FLEX

With flexible edge

A 35

<ul style="list-style-type: none"> ■ FLEX window reveal bead with skimming edge 	A35-25	2.5 m	30 bars = 75 m	10.0 kg
-------------------------------------------------------------------------------------------------------	---------------	-------	----------------	---------

A 35 - pro

<ul style="list-style-type: none"> ■ FLEX-pro window reveal bead with shadow gap 	A35-25PRO	2.5 m	30 bars = 75 m	9.9 kg
--------------------------------------------------------------------------------------------------------	------------------	-------	----------------	--------

Features

	PRODUCT GROUP
Material	<ul style="list-style-type: none"> ■ Rigid PVC manufactured under DIN-16941 ■ TPE manufactured under DIN-16941
Protective flap	<ul style="list-style-type: none"> ■ Detachable with soft TPE connection and double-sided adhesive tape
Features	<ul style="list-style-type: none"> ■ Telescopic bar with flexible TPE connection
Seal	<ul style="list-style-type: none"> ■ PE foam tape 7x3 mm
Inspections	<ul style="list-style-type: none"> ■ VDPM leaflet: Class A with adhesive connection

Important information

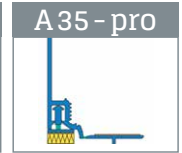
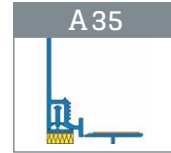
Storage	Always store profiles laid down in a dry place.
Test of adhesion	Perform adhesion test. ▶ See <i>general tips – APU test of adhesion</i>
Other applications	Any applications not clearly described in the documents may be implemented only after consultation with the plaster or ETICS manufacturer.

For information on materials, areas of use, tests and correct application, please refer to our 'General Advice and Information'



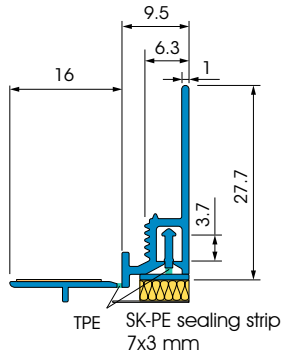
A 35

A 35 - pro

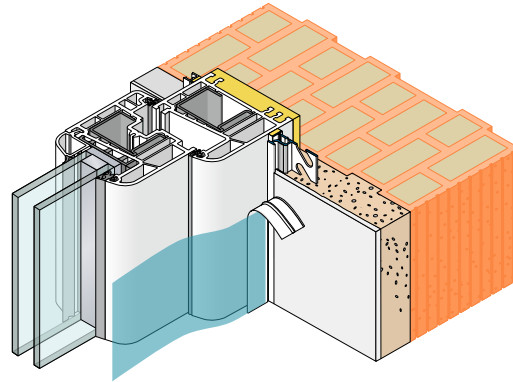


Details

A 35

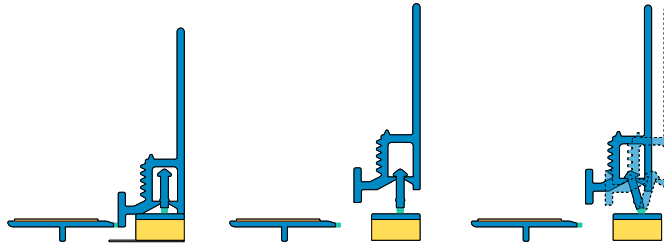


Sectional drawing in mm

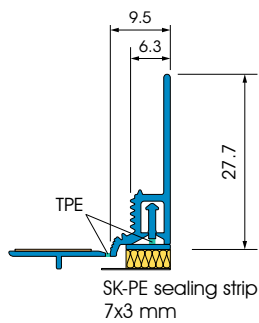


Application drawing

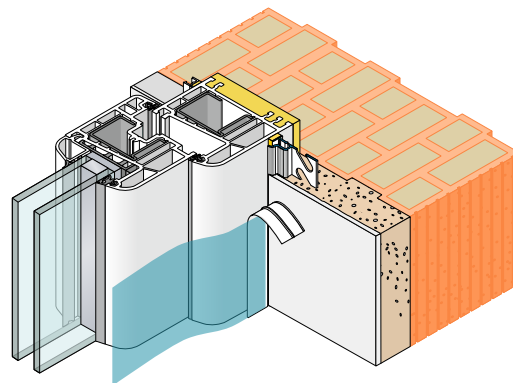
Function



A 35 - pro



Sectional drawing in mm



Application drawing

Function

