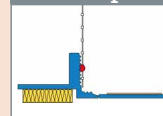




W20 - pro



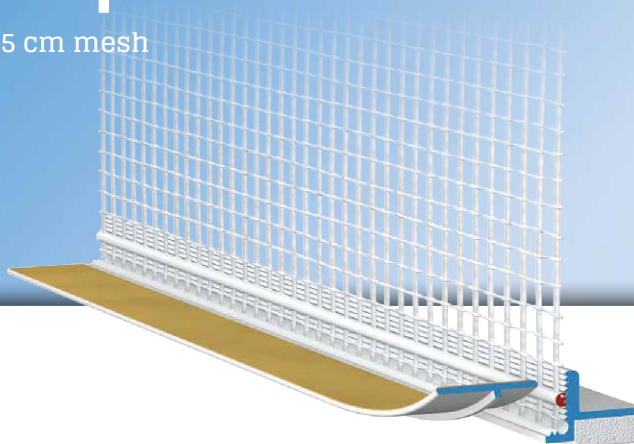
APU®

PROFILES FOR COMPOUND HEAT INSULATION SYSTEMS

Window reveal bead with mesh

COMPACT-pro

With shadow gap and 12.5 cm mesh

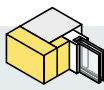
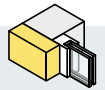



The **APU window reveal bead with mesh COMPACT-plus** is used in compound heat insulation systems in accordance with the APU area of application. Within the reveal the profile is stuck flush to the structural element there and thus forms a clean and reliable termination of the plaster with shadow gap.

The profile comes with a self-adhesive PE foam tape, which ensures a watertight, lasting seal. The PE foam tape is covered and protected by the profile contour. There is a fabric window reveal bead welded onto the profile. Each bar has a fabric overhang on one side of 10cm in the lengthways direction. There is a piece of self-adhesive tape on protective flap in order to secure the third-party protective film. This protects the window during the plastering work. After completion of these tasks, the protective flap is pulled off and what is created is a clean edge to the plaster.



Area of application

WINDOW POSITION	 WITHIN MASONRY	 FLUSH WITH MASONRY	 IN FRONT OF MASONRY
Sub-surface	With adhesive connection – only for surfaces suitable for being stuck to ! Test of adhesion required		
Insulating material thickness	up to 160 mm		
Window size	up to 2.6 m ²		
W20 COMPACT	●	-	-

Design

	ITEM NO.	LENGTH	PACKAGING UNIT	WEIGHT (per PU)
--	----------	--------	----------------	-----------------

COMPACT-pro window reveal bead with mesh

W20 - pro With shadow gap and 12.5 cm mesh	W20-24PRO	2.4 m	25 bars = 60 m	7.7 kg
--	------------------	-------	----------------	--------

Features

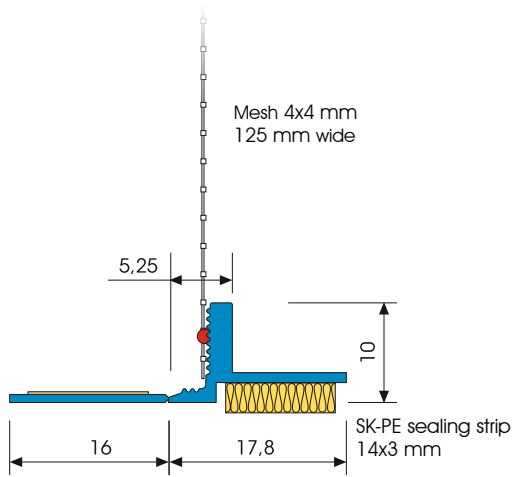
	COMPACT-PRO WINDOW REVEAL BEAD WITH MESH
Material	■ Rigid PVC manufactured under DIN-16941
Protective flap	■ Detachable with soft TPE connection and double-sided adhesive tape
Seal	■ PE foam tape 11 x3 mm
Mesh	■ Min. 160 g/m ² approved for compound heat insulation systems ■ 12.5 cm wide – MW 4x4 mm ■ Ultrasonic welded

Important information

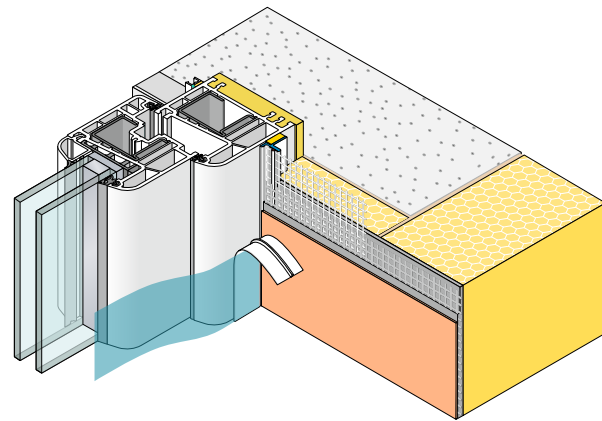
Storage	Always store profiles laid down in a dry place.
Use	Can be used only on white plastic windows.
Test of adhesion	Perform adhesion test. ▶ See general tips – APU test of adhesion
Other applications	Any applications not clearly described in the documents may be implemented only after consultation with the plaster or ETICS manufacturer.
Selection criteria	Adhere to the latest APU selection criteria. ▶ see APU selection criteria

For information on materials, areas of use, tests and correct application, please refer to our 'General Advice and Information'

Details



Sectional drawing in mm



Application drawing