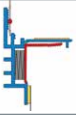




W39



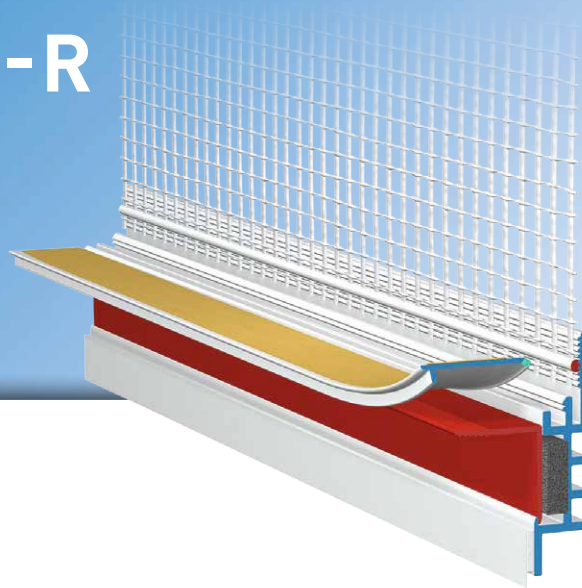
APU[®]

PROFILES FOR COMPOUND HEAT INSULATION SYSTEMS

Window reveal bead with mesh

PUR-FIX-R

With 12.5 cm mesh

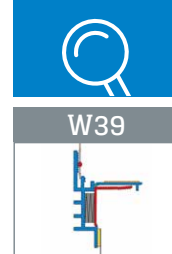


The **APU window reveal bead with mesh PUR-FIX-R** is used in compound heat insulation systems as specified in the latest APU selection criteria.

The profile is put in place shortly before the insulation of the reveal, is fixed flush to the side of the roller shutter guide rail and after completion of the plastering work provides a clean and reliable termination of the plaster.

The profile comes with an expanding PUR sealing strip, which ensures a watertight, lasting seal without any sticking directly to the structural element. The PUR sealing strip is impacted lengthways in the profile and has an overhang for sealing the joint. The PUR sealing strip is able to absorb relatively large movements in the area around the joint. There is a fabric window reveal bead welded onto the profile. Each bar has a fabric overhang on one side of 10cm in the lengthways direction. There is a piece of self-adhesive tape on protective flap in order to secure the third-party protective film. This protects the window during the plastering work. After completion of the work the protective flap and the red activation tab are removed and what is created is a clean plaster edge.

The profile is thus suitable for all standard shutter tracks and can be universally used.



Design

	ITEM NO.	LENGTH	PACKAGING UNIT	WEIGHT (per PU)
--	----------	--------	----------------	-----------------

PUR-FIX-R window reveal bead with mesh

W39	W39-2400	2.4 m	25 bars = 60 m	14.0 kg
-----	----------	-------	----------------	---------

Features

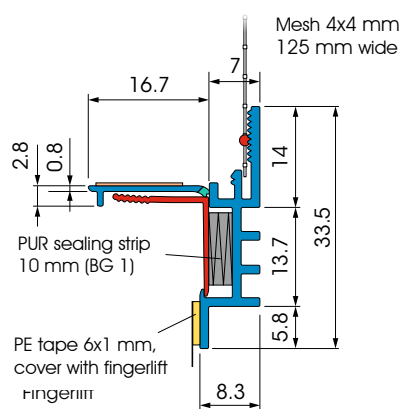
	PUR-FIX-R WINDOW REVEAL BEAD WITH MESH
Material	<ul style="list-style-type: none"> ■ Rigid PVC manufactured under DIN-16941
Protective flap	<ul style="list-style-type: none"> ■ Can be pulled off using double-sided self-adhesive tape
Fixation	<ul style="list-style-type: none"> ■ PE foam tape 6 x 1 mm
Seal	<ul style="list-style-type: none"> ■ PUR sealing strip, 10 mm, type BG1 ■ Watertight for joints of 3-9mm
Mesh	<ul style="list-style-type: none"> ■ Min. 160 g/m² approved for compound heat insulation systems ■ 12.5 cm wide – MW 4 x 4 mm ■ Ultrasonic welded
Inspections	<ul style="list-style-type: none"> ■ VDPM leaflet: Class A without adhesive connection ■ Ö-Norm 6400-2: Class III

Important information

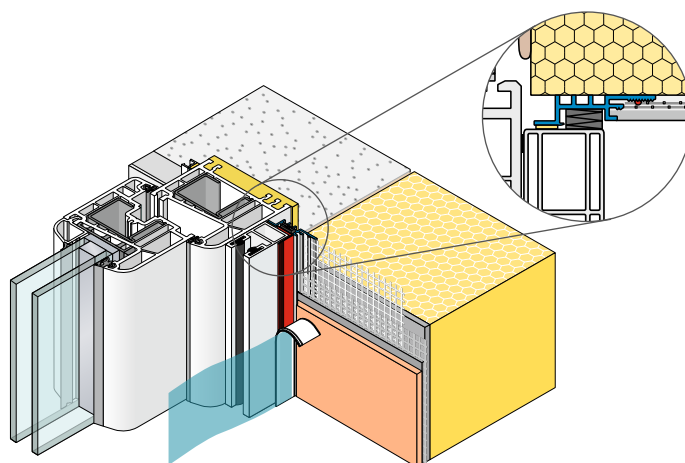
Storage	Always store profiles laid down in a dry place.
Sub-surface	The sub-surface must be even, dry, free of dust and suitable for the profile to be fixed on.
Test of adhesion	No test of adhesion required.

For information on materials, areas of use, tests and correct application, please refer to our 'General Advice and Information'

Details



Sectional drawing in mm



Application drawing