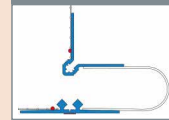
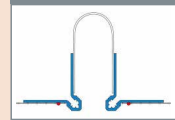




W51



W52



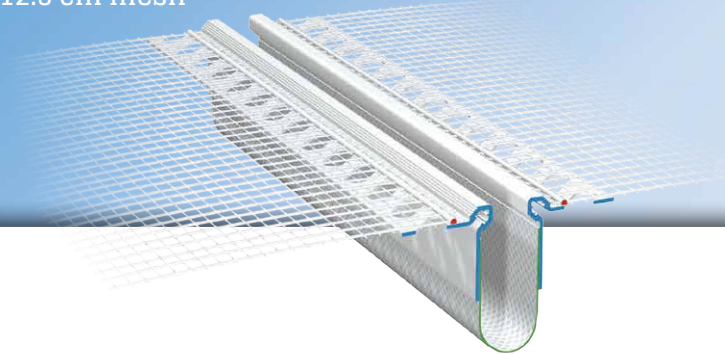
# APU®

PROFILES FOR COMPOUND HEAT INSULATION SYSTEMS

## Expansion joint profile

# DUO-TEX

Corner and surface  
for fine plaster with 2 x 12.5 cm mesh

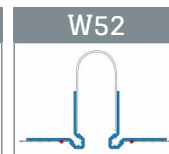
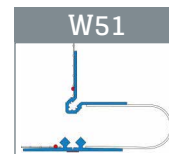


The **APU expansion joint profile DUO-TEX** is used in compound heat insulation systems at building joints. For the flush formation of a clean plaster edge, the profiles for surface areas (W52) and for inner corners (W51) are made.

The profile is made up of 2 plastic profiles, to each of which a strip of mesh is welded. Each bar has a fabric overhang on one side of 10cm in the lengthways direction. Between the profiles there is a mesh-reinforced connecting lug made of soft PVC for absorbing movements. On every bar the connecting lug has a projection of c. 5 cm, so that the profiles are worked on in the area where the pieces abut in overlapping fashion and it is ensured that water gets guided away. The profiles can be connected flush with each other using the plug connectors (Z13) provided.

What is created after completion of the plastering work is a clean termination of the plaster.

In order to visually cover up the expansion joints, the cover profiles (Z22-F for flat surfaces and Z22-E for corners) are used. These can be painted over using acrylic paints.



## Design

	ITEM NO.	LENGTH	PACKAGING UNIT	WEIGHT (per PU)
--	----------	--------	----------------	-----------------

### DUO-TEX expansion joint profile

For fine plaster with 2 x 12.5 cm mesh

W51				
■ For corners	W51-2000	2.0 m	25 bars = 50 m	15.2 kg
W52				
■ For surfaces	W52-2000	2.0 m	25 bars = 50 m	15.1 kg

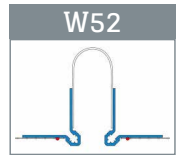
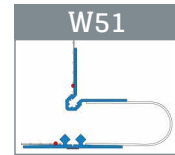
## Features

DUO-TEX EXPANSION JOINT PROFILE	
Material	■ Rigid PVC manufactured under DIN-16941
Features	<ul style="list-style-type: none"> <li>■ Flexible plastic lug made of soft PVC</li> <li>■ 80 mm wide</li> <li>■ White</li> </ul>
Mesh	<ul style="list-style-type: none"> <li>■ Min. 160 g/m<sup>2</sup> approved for compound heat insulation systems</li> <li>■ 2 x 12.5 cm wide – MW 4 x 4 mm</li> <li>■ Ultrasonic welded</li> </ul>
Accessories	■ Z13-0000 Plug connectors (1 bag)
Optional accessories	<ul style="list-style-type: none"> <li>■ Z22-F-2100 Expansion joint cover profile, surface</li> <li>■ Z22-E-2100 Expansion joint cover profile, corner</li> </ul>

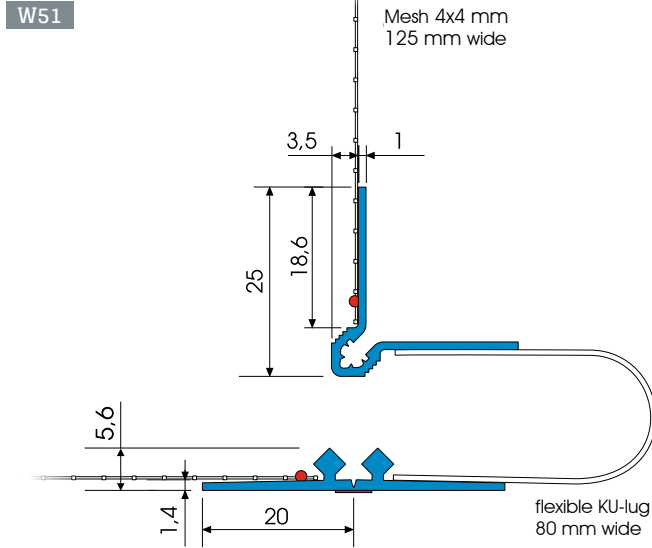
## Important information

Storage	Always store profiles laid down in a dry place.
Other applications	Any applications not clearly described in the documents may be implemented only after consultation with the plaster or ETICS manufacturer.
Recommendation	We recommend sticking the expansion joint cover profile Z22 on one side using appropriate PU adhesive/sealant.

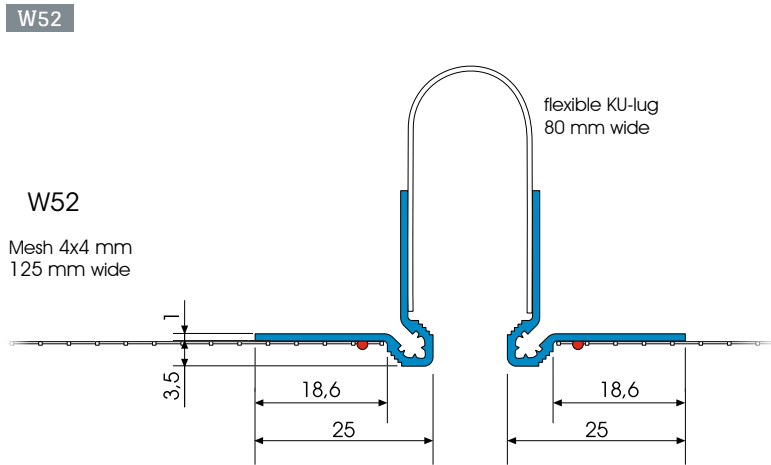
For information on materials, areas of use, tests and correct application, please refer to our 'General Advice and Information'



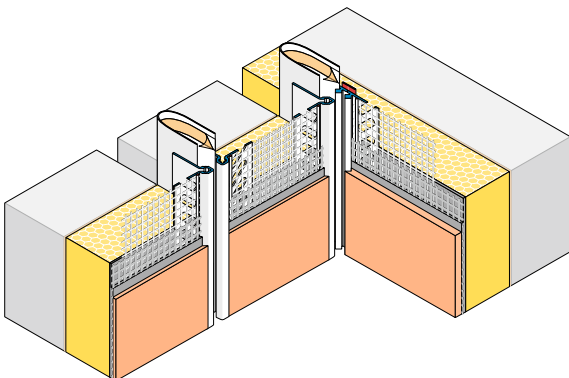
## Details



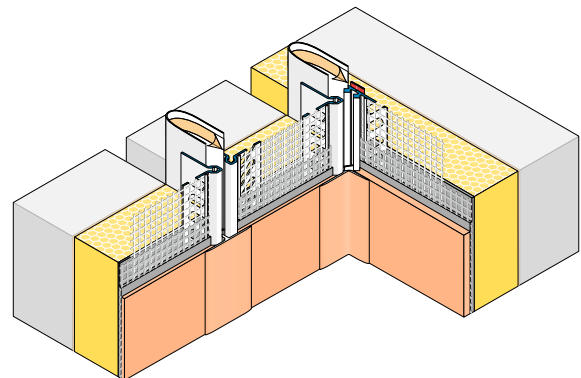
Sectional drawing in mm



Sectional drawing in mm



Application drawing without optional accessories



Application drawing with optional accessories (expansion joint cover profile Z22 for corners and flat surfaces)