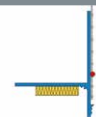




W60 - 1



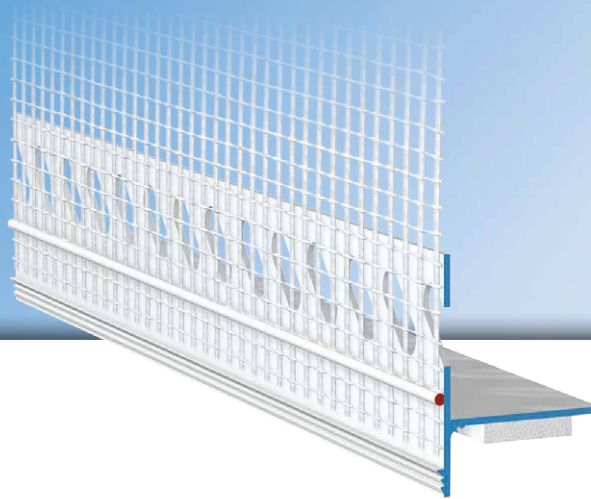
# APU®

PROFILES FOR COMPOUND HEAT INSULATION SYSTEMS

## Stick-on profile

# UNO

With straight drip edge  
and 12.5 cm mesh



The **APU stick-on profile UNO** is used horizontally in compound heat insulation systems e.g., for plaster joints up against shutter boxes.

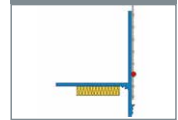
The straight profile contour provides a reliable solution in respect of downward guidance of water.

The profile has a punched plaster bar. Welded onto the plaster limb is a fabric strip. Each bar has a fabric overhang on one side of 10cm in the lengthways direction. The lower limb is fitted with PE foam tape for sticking the profile to the respective surface.

What is created after completion of the plastering work is a clean termination of the plaster.



W60 - 1



## Design

	ITEM NO.	LENGTH	PACKAGING UNIT	WEIGHT (per PU)
--	----------	--------	----------------	-----------------

### UNO stick-on profile

W60 - 1				
With drip edge and 12.5 cm mesh	W60-1-2100	2.1 m	10 bars = 21 m	3.4 kg

## Features

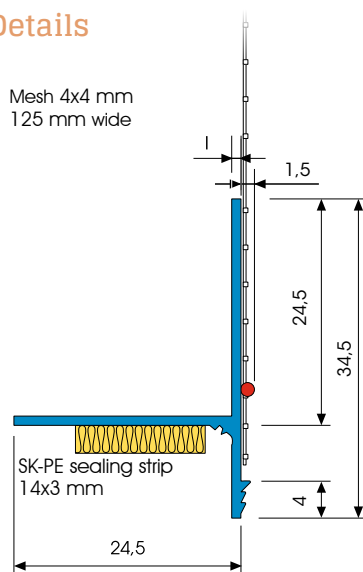
	UNO STICK-ON PROFILE
Material	<ul style="list-style-type: none"> <li>■ Rigid PVC manufactured under DIN-16941</li> </ul>
Features	<ul style="list-style-type: none"> <li>■ PE foam tape 14x3 mm</li> </ul>
Mesh	<ul style="list-style-type: none"> <li>■ Min. 160 g/m<sup>2</sup> approved for compound heat insulation systems</li> <li>■ 12.5 cm wide – MW 4x4 mm</li> <li>■ Ultrasonic welded</li> </ul>

## Important information

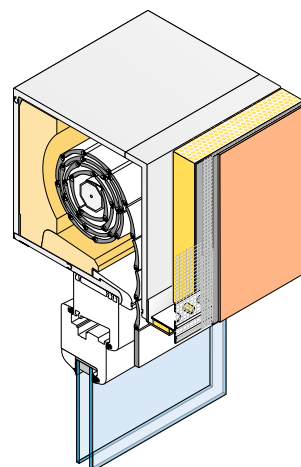
Storage	Always store profiles laid down in a dry place.
Other applications	Any applications not clearly described in the documents may be implemented only after consultation with the plaster or ETICS manufacturer.

For information on materials, areas of use, tests and correct application, please refer to our 'General Advice and Information'

## Details



Sectional drawing in mm



Application drawing