



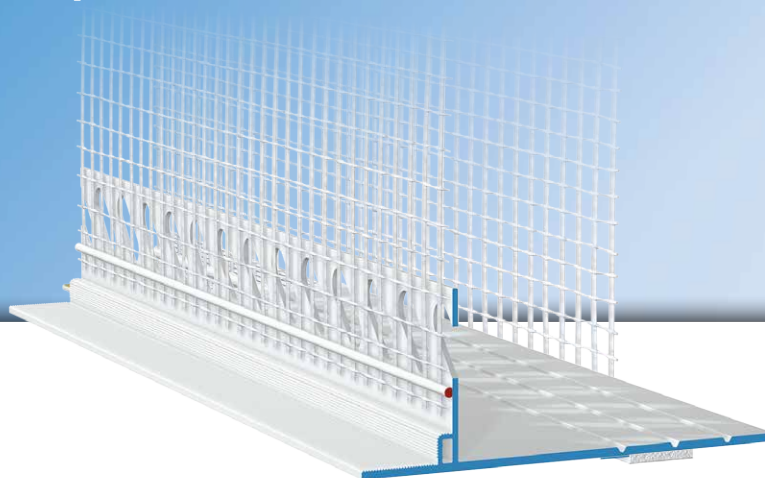
W81 - K

**APU**<sup>®</sup>

PROFILES FOR COMPOUND HEAT INSULATION SYSTEMS

# Joint flank profile - K

With edge for float-finish plaster and 12.5 cm mesh



The **APU joint flank profile** is used in compound heat insulation systems for flush plaster joints with existing structural components such as door and window elements and frames. It is put directly on top of the insulation at a distance from the structural element. The watertight seal (e.g., with a PUR sealing strip) is not included and must be done in accordance with the respective manufacturer's specifications on planning and dimensions. After completion of the plastering work the profile forms a flush, clean termination of the plaster. The profile contour enables the application of a thick layer of plaster / float-finish plaster.

The profile has a welded fabric strip. Each bar has a fabric overhang on one side of 10cm in the lengthways direction. The rear mounting wing has a wing width of 60 mm and can if necessary be shortened at one of the intended break points to 30 mm, 40 mm or 50 mm.

The included plug connectors (Z14) connect the profiles as a flush joint in the area where the pieces abut.

The corner is formed using prefabricated corner pieces (Z81-K-60). These are not included in the scope of delivery.



W81-K



## Design

	ITEM NO.	LENGTH	PACKAGING UNIT	WEIGHT (per PU)
--	----------	--------	----------------	-----------------

### Joint flank profile - K

W81-K

With edge for float-finish plaster and 12.5 cm mesh      **W81-K-2560**      2.5 m      15 bars = 37.5 m      10.5 kg

## Features

	JOINT FLANK PROFILE - K
Material	<ul style="list-style-type: none"> <li>■ Rigid PVC manufactured under DIN-16941</li> </ul>
Mesh	<ul style="list-style-type: none"> <li>■ Min. 160 g/m<sup>2</sup> approved for compound heat insulation systems</li> <li>■ 12.5 cm wide – MW 6 x 6 mm</li> <li>■ Ultrasonic welded</li> </ul>
Accessories	<ul style="list-style-type: none"> <li>■ Z14-2000 APU plug connectors, small</li> </ul>
Optional accessories	<ul style="list-style-type: none"> <li>■ Z81-K-0060 APU joint flank profile, corner piece, 60 mm limb width</li> </ul>

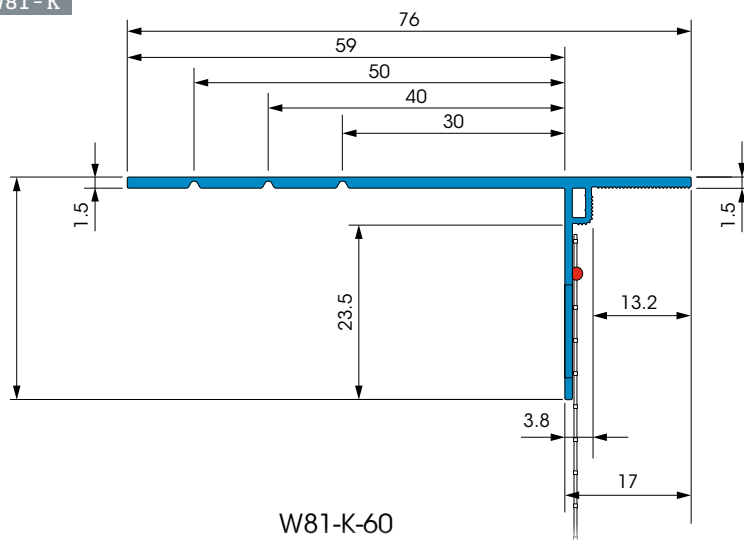
## Important information

Storage	Always store profiles laid down in a dry place.
Scope of delivery	The sealing tape/strip is not included with the product.
Other applications	Any applications not clearly described in the documents may be implemented only after consultation with the plaster or ETICS manufacturer.
Selection criteria	Adhere to the latest APU selection criteria. ▶ see <i>APU selection criteria</i>

For information on materials, areas of use, tests and correct application, please refer to our 'General Advice and Information'

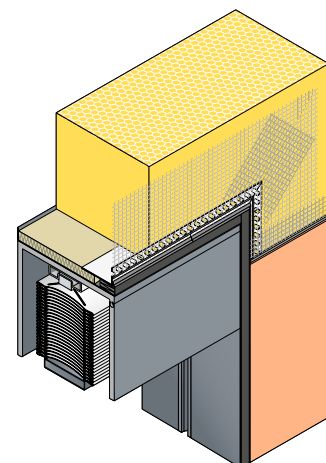
## Details

W81-K



W81-K-60

Sectional drawing in mm



Application drawing