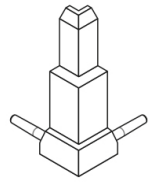




Z46

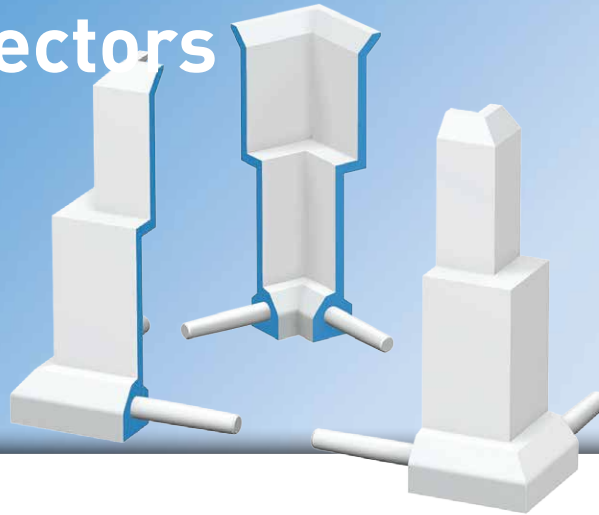


APU®

PROFILES FOR COMPOUND HEAT INSULATION SYSTEMS

Corner connectors

For PUR-FIX W46
flashing bead

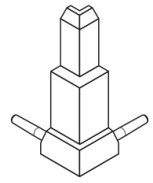


Using the **APU corner connectors** for the PUR-FIX W46 flashing bead for inner corners (Z46-I) and outer corners (Z46-A), clean, precise corners can be formed quickly and easily.

The pins on the left and right of the corner connectors are inserted into the respective profiles and thus connected together.
All profile edges then terminate flush with each other.



Z46



Design

	ITEM NO.	PACKAGING UNIT	WEIGHT (per PU)
--	----------	----------------	-----------------

PUR-FIX sheet metal connecting profile corner connectors

Z46

■ For internal corners	Z46-1010i	100 units · 10 bags in a box	0.5 kg
■ For external corners	Z46-1010a	100 units · 10 bags in a box	0.5 kg

Features

	SLIDE BEARING PROFILE	
Material	■ Plastic	
Suitable for	W46	PUR-FIX flashing bead

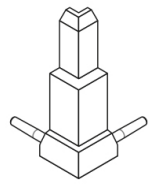
Important information

Other applications Any applications not clearly described in the documents may be implemented only after consultation with the plaster or ETICS manufacturer.

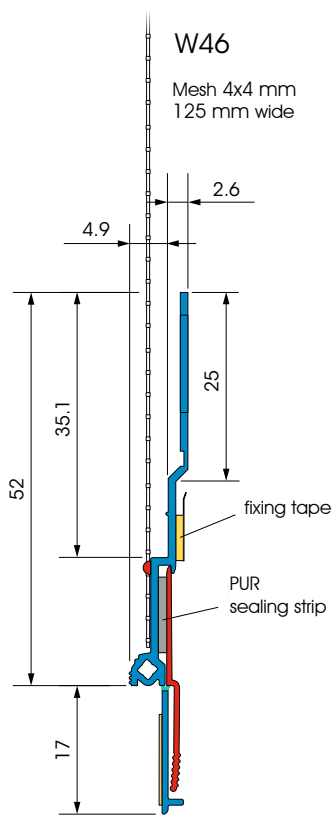
For information on materials, areas of use, tests and correct application, please refer to our 'General Advice and Information'



Z46



Details



Sectional drawing in mm