



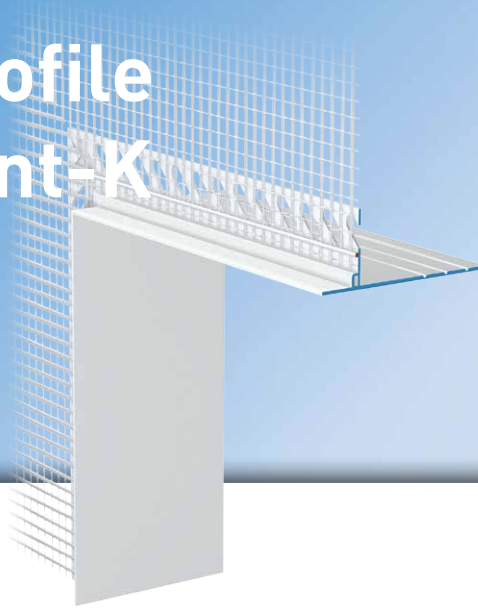
Z81-K

APU[®]

PROFILES FOR COMPOUND HEAT INSULATION SYSTEMS

Joint flank profile corner element-K

With straight edge and 12.5 cm mesh

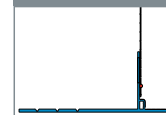


Using the **APU joint flank profile corner** element, it is quick and easy to produce clean and precise corner formations.

Using the plug connectors (Z14) supplied with them, the corner pieces are connected flush with the incoming joint flank profile W81-K. In the area where it abuts, the rear limb must be stuck over and thus sealed using suitable adhesive tape.



Z81-K



Design

| | ITEM-NO. | LENGTH | PACKAGING UNIT | WEIGHT (per PU) |
|--|----------|--------|----------------|-----------------|
|--|----------|--------|----------------|-----------------|

Joint flank profile - corner element-K

Z81-K

With straight edge and 12.5 cm mesh

| | | | |
|-------------------|------|---------|--------|
| Z81-0060-K | 0,2m | 5 units | 0,9 kg |
|-------------------|------|---------|--------|

Ausstattung

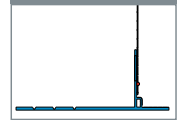
| | JOINT FLANK PROFILE - CORNER ELEMENT |
|--------------|--|
| Material | ■ Rigid PVC manufactured under DIN-16941 |
| Mesh | ■ Min. 160 g/m ² approved for compound heat insulation systems ■ 12.5 cm wide – MW 4 x 4 mm ■ Ultrasonic welded |
| Accessories | ■ Z14-0000 Plug connectors, small |
| Suitable for | W81-K Joint flank profile-K |

Wichtige Hinweise

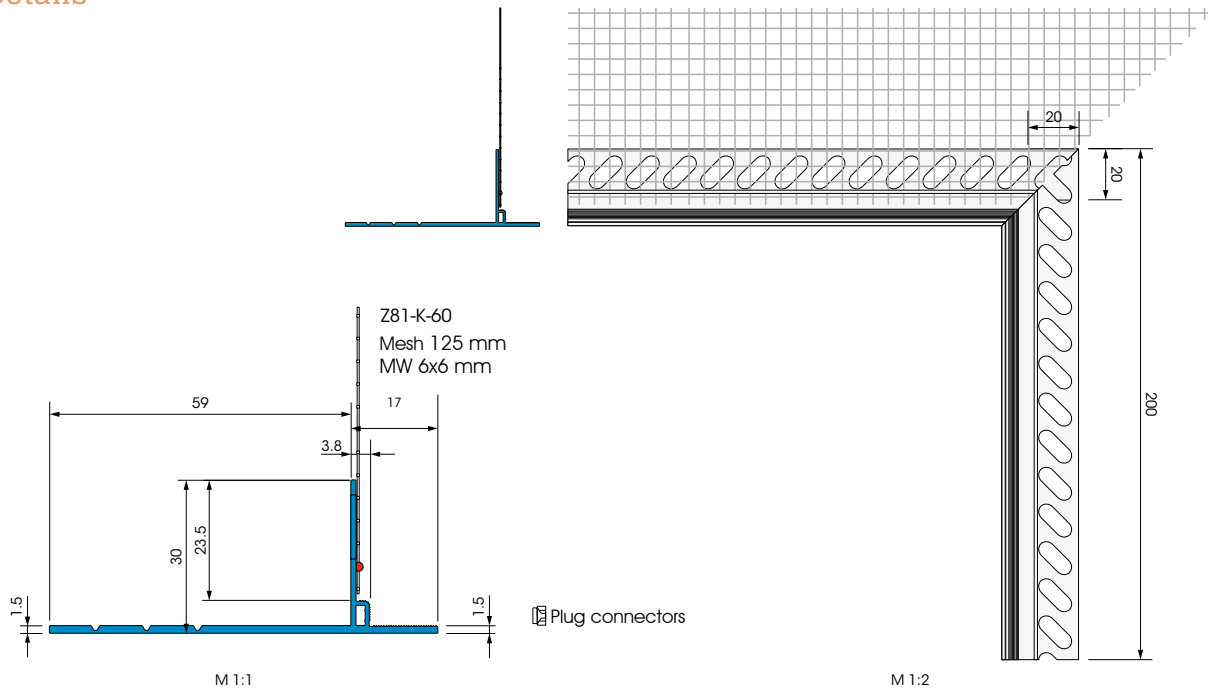
| | |
|--------------------|--|
| Fitting | see product documentation W81-K |
| Other applications | Any applications not clearly described in the documents may be implemented only after consultation with the plaster or ETICS manufacturer. |
| Seal | The sealing tape/strip is not included with the product. |



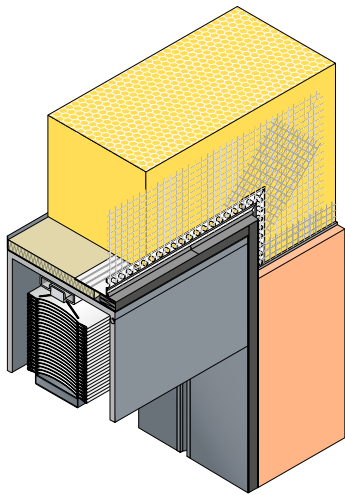
Z81-K



Details



Sectional drawing in mm



Application drawing