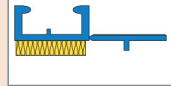




A14

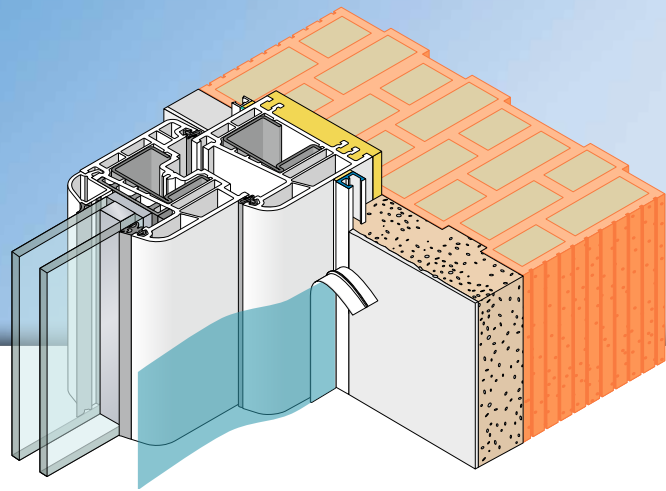


# APU®

PLASTER JOINT PROFILES FOR INTERIOR AND EXTERIOR PLASTERING

## Window reveal bead **UNIVERSAL**

15 mm



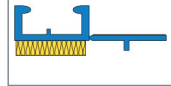
The **APU window reveal bead UNIVERSAL** is used with indoor and outdoor plaster systems as specified by the latest APU selection criteria. Within the reveal the profile is stuck flush to the structural element there and thus forms a clean and reliable termination of the plaster.

The 15 mm wide profile comes with a self-adhesive PE foam tape, which ensures a watertight, lasting

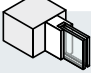
seal. There is a piece of self-adhesive tape on protective flap in order to secure the third-party protective film. This protects the window during the plastering work. After completion of these tasks, the protective flap is pulled off and what is created is a clean edge to the plaster.



A14



## Area of application

WINDOW POSITION	 WITHIN MASONRY
Sub-surface	With adhesive connection – only for surfaces suitable for being stuck to <b>! Test of adhesion required</b>
Window size	up to 2.6 m <sup>2</sup>
<b>A14 UNIVERSAL</b>	●

## Fitting

- 1 The sub-surface must be even, dry, free of dust and suitable for the profile to be stuck on permanently.  
Any residues that would impair adhesion must be removed.
- 2 Perform adhesion test.  
▶ See general tips – APU test of adhesion
- 3 Cut the window reveal bead to length using suitable trimming shears with supporting surface.
- 4 Pull back the protective flap at top and bottom along the line by about 5 cm (makes removal later easier).
- 5 The vertical profiles get put on first. As you do so, release the profiles' protective flap. Pressing firmly with your thumbs, stick on the profiles aligned with and at an equal distance from the frame profile across the entire length. To do this, pull off the covering paper of the self-adhesive PE foam tape.  
In the case of hinges, cut into protective flap and fold over.
- 6 Fit transverse profile into place, flush with the edge.
- 7 Prior to the plastering work, pull off the protective flap's covering paper and affix the third-party protective film for protecting the window to the adhesive surface.
- 8 When the plastering and painting work has been finished, remove the protective film.  
Fold the protective flap forward and backward along its entire length, hold by the pulled back ends and pull it off to the front.

## Important information

- When the work is being done, the surface temperature must be at least +5 degrees and must not exceed +40 degrees.
- If the necessary profile length is not available, it is possible in the upper third of the structural element to create a butt joint by butting the profiles up against each other.
- Where adhesive profiles form a seal through the PE foam tape, we recommend closing the bottom window groove with a suitable sealant.
- To avoid them becoming unduly hot, profiles, especially dark ones, should be shielded from direct sunlight when in storage and prior to being plastered over.
- The processing guidelines of the plaster manufacturer shall be complied with.