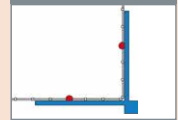




W14



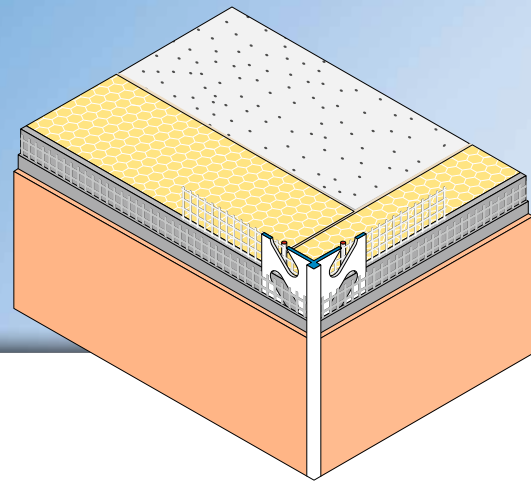
# APU<sup>®</sup>

PROFILES FOR COMPOUND HEAT INSULATION SYSTEMS

## Corner bead with mesh

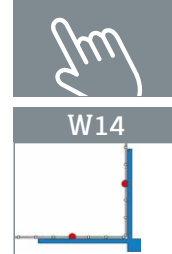
# DECO-TEX

With 2 x 12.5 cm mesh



The **APU corner bead with mesh DECO-TEX** is used in compound heat insulation systems as a flush, impact-protected edge for thin top layers of plaster.

The corner bracket has 2 perforated wings to each of which a strip of mesh is welded on the inside. Each bar has a fabric overhang on one side of 10cm in the lengthways direction. The square skimming bar forms a clean and visible corner guard in the corner area.



## Fitting

- 1 Apply c. 15 cm of filler compound / reinforcement plaster compound up to the edge of the insulation material on left and right.
- 2 Embed corner bead with mesh flush into the reinforcement base plaster and align.
- 3 Apply reinforcement base plaster over the full area. In doing so, pull the mesh up to the plaster edge and trim.
- 4 After leaving to stand for the required time, apply top layer of plaster.

## Important information

- Any applications not clearly described in the documents may be implemented only after consultation with the plaster or ETICS manufacturer.
- When the work is being done, the surface temperature must be at least +5 degrees and must not exceed +40 degrees.
- After being set in place on the structural element, profiles with a mesh vane must be promptly embedded. Until then they must be protected from the weather.
- The surface mesh to be subsequently attached must be run up to the skimming edge of the profile.
- The processing guidelines of the plaster manufacturer shall be complied with.