



W44-2



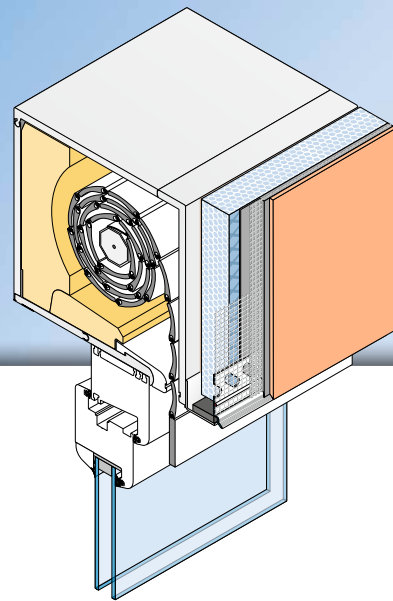
APU®

PROFILES FOR COMPOUND HEAT INSULATION SYSTEMS

Stop bead with mesh

DECO-TEX-DUE

With cranked drip edge and 12.5 cm mesh



Das **APU stop bead with mesh DECO-TEX-DUE** is used in compound heat insulation systems as a bottom plaster termination or as a horizontal plaster separation.

The profile has a punched plaster bar and a cranked drip edge. There is a fabric fillet welded onto the profile. Each bar has a fabric overhang on one side

of 10cm in the lengthways direction. The first raised edge serves for the application of the reinforcement base plaster. The final render is applied and skimmed on the second skimming edge. The profile ensures with its contour that water flows in a targeted way.

What is created after completion of the plastering work is a clean termination of the plaster.



W44-2



Fitting

- 1 Cut the profile to length using suitable trimming shears with supporting surface.
- 2 Embed stop bead with mesh flush into the reinforcement base plaster and align.
- 3 Embed the mesh into the reinforcement base plaster, pull up to the plaster edge and trim.
- 4 After leaving to stand for the required time, apply covering layer of plaster.

Important information

- Any applications not clearly described in the documents may be implemented only after consultation with the plaster or ETICS manufacturer.
- After being set in place on the structural element, profiles with a mesh vane must be promptly embedded. Until then they must be protected from the weather.
- The mesh vane and surface mesh must overlap by at least 10 cm. The surface mesh to be subsequently attached must be run up to the skimming edge of the profile.
- The processing guidelines of the plaster manufacturer shall be complied with.